



## **Broadband Wireless Access Solutions (Access Point)**

The 11Mbps Wireless Access Point provides interoperability, expandability, security, and manageability for top performance wireless networking in both single and multiple AP installations. Comprehensive SNMP-based management software gives professional level network management tools for easy wireless network management and monitoring.

The 11Mbps Wireless Access Point fully complies with the IEEE 802.11b standard. With superior wireless technology and advanced features, the 11Mbps Wireless Access Point is a reliable, high performance, cost effective wireless solution.

## **Wireless Ethernet Client**

The AAP-2410-WEC provides a wireless connection to the Internet or to share resources for an Ethernet-enabled device. With no software driver required for set-up, and regardless of any operating system, the WEC allows not only desktop or notebook PC wirelessly accessing network, but also extends fast, simple and flexible wireless networking capabilities to printers, scanners, barcode reader, medical equipment, industrial machinery and other data collection devices, which don't have PCI or PCMCIA slot available.

Featuring an integrated built-in dual dipole antenna for robust operation in radio frequency hostile environments, and complying with the IEEE 802.11b standard, the WEC is a high performance, easily managed wireless adapter for fast and reliable networking.

## **Wireless Workgroup Bridge**

The 11Mbps Wireless Workgroup Bridge, AAP-2410-WWB acts as a Point-to-Multipoint bridge to provide an effortless wired-to-wireless connection for any Ethernet-enabled device. Used together with a hub or switch, it can quickly connect up to 16 users (per bridge) for very affordable wireless connections when compared with using a wireless adapter for each user.

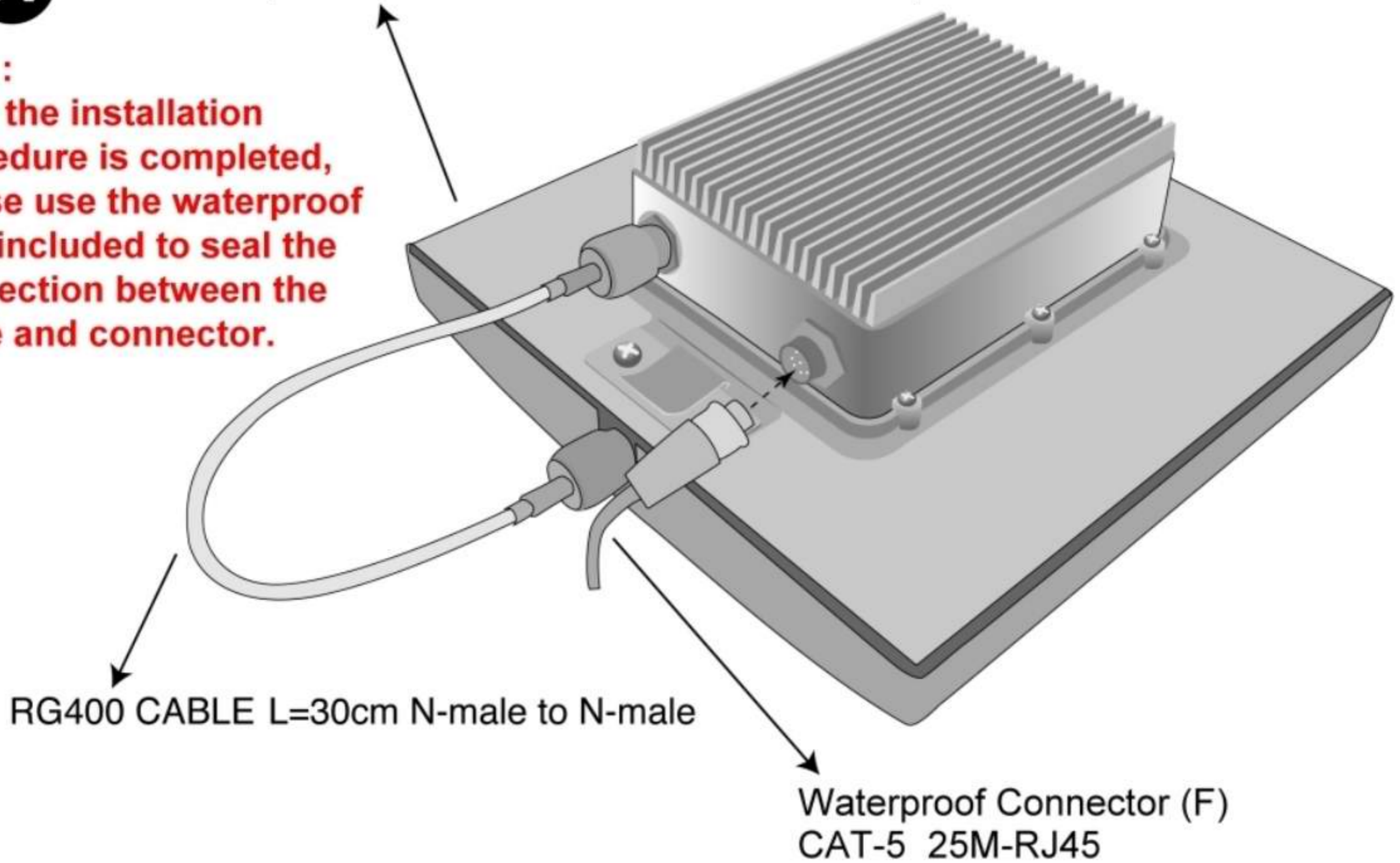
The AAP-2410-WWB is very easy to setup. Once setup is complete, you can remotely configure and manage the bridge via SNMP management tools integrated with a highly efficient Service Discovery Protocol. In a corporate environment, the workgroup bridge connects workgroups in separate office islands - quickly and economically. For temporary classrooms or workplaces, the workgroup bridge provides flexible and easy network access. Devices are easily moved as workgroups change in number or location; lowering hardware costs.

## 2.4G AIO Installation Diagram

**A**

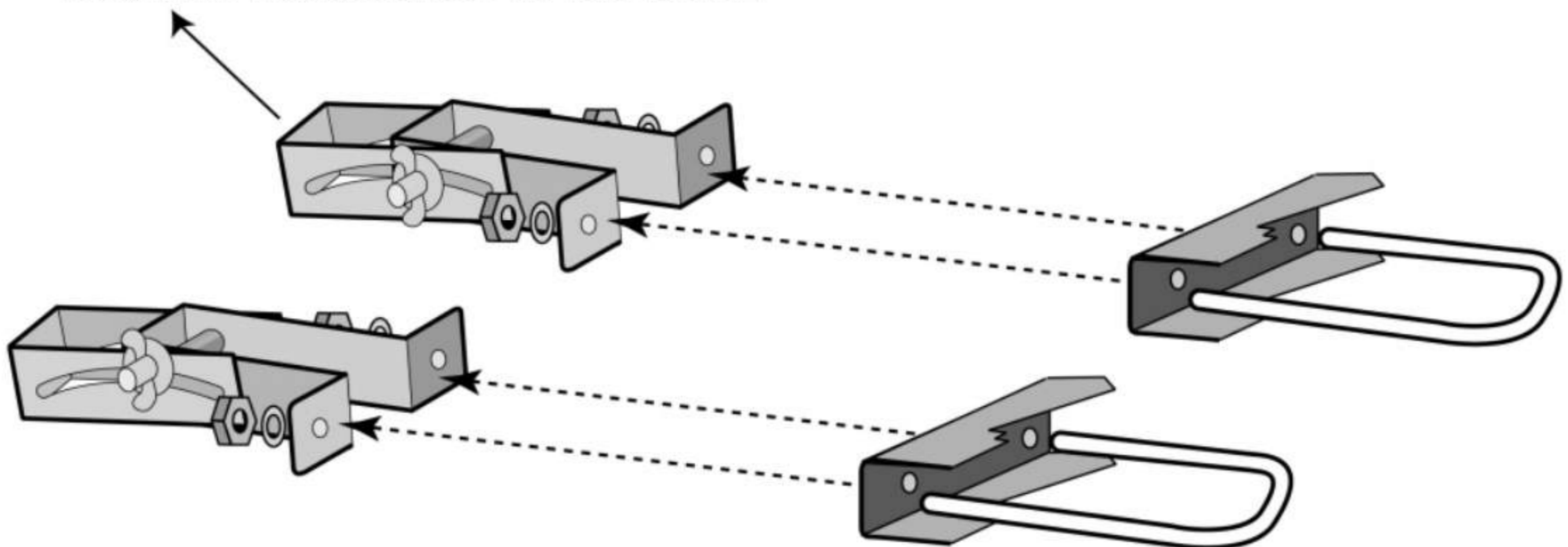
AIO-AP (AP+18dbi Flat Patch ANT+Accessories)

**Note :**  
After the installation procedure is completed, please use the waterproof tape included to seal the connection between the cable and connector.



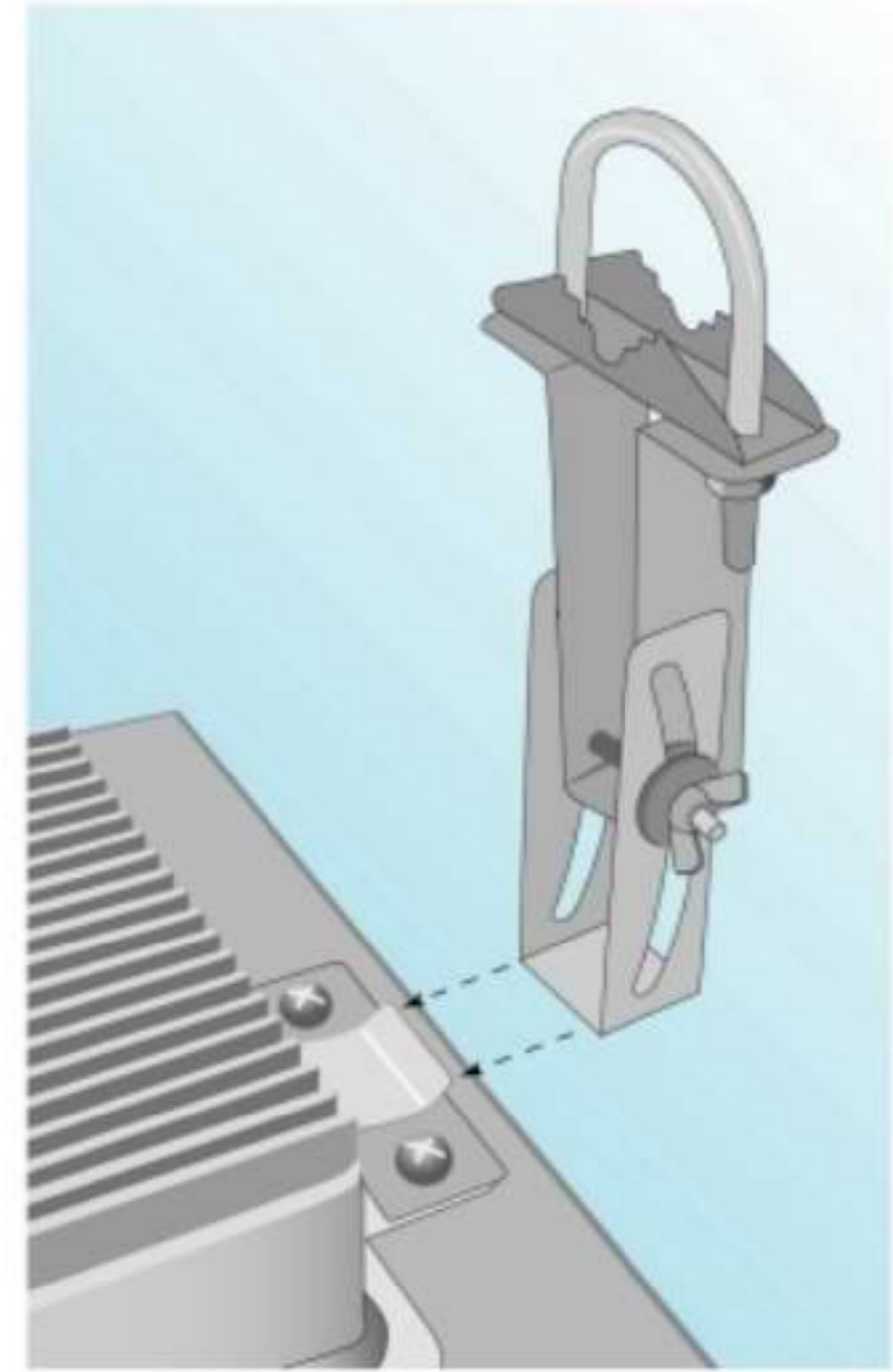
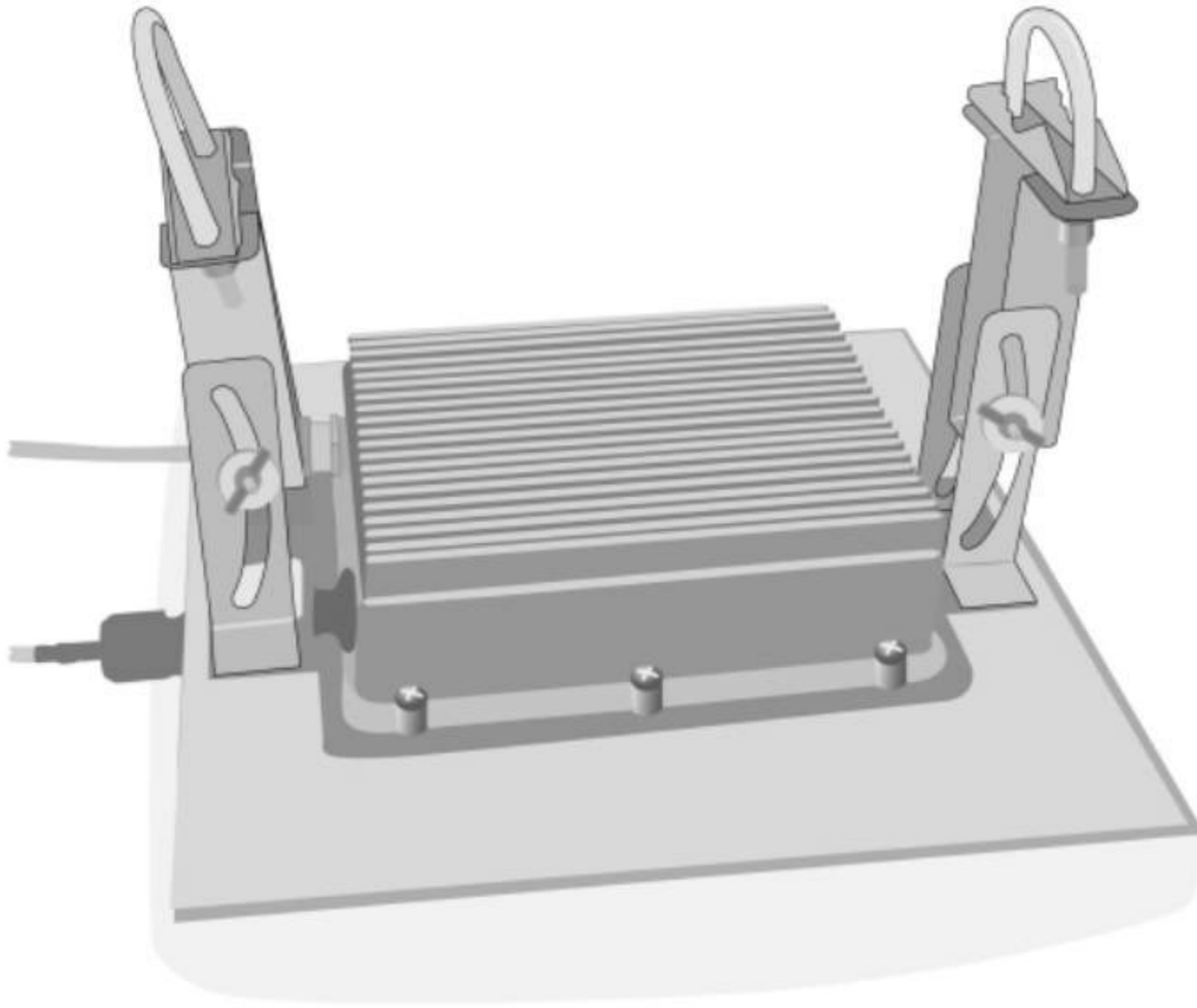
**B**

18dbi ANT Accessories HA-1002SU x2



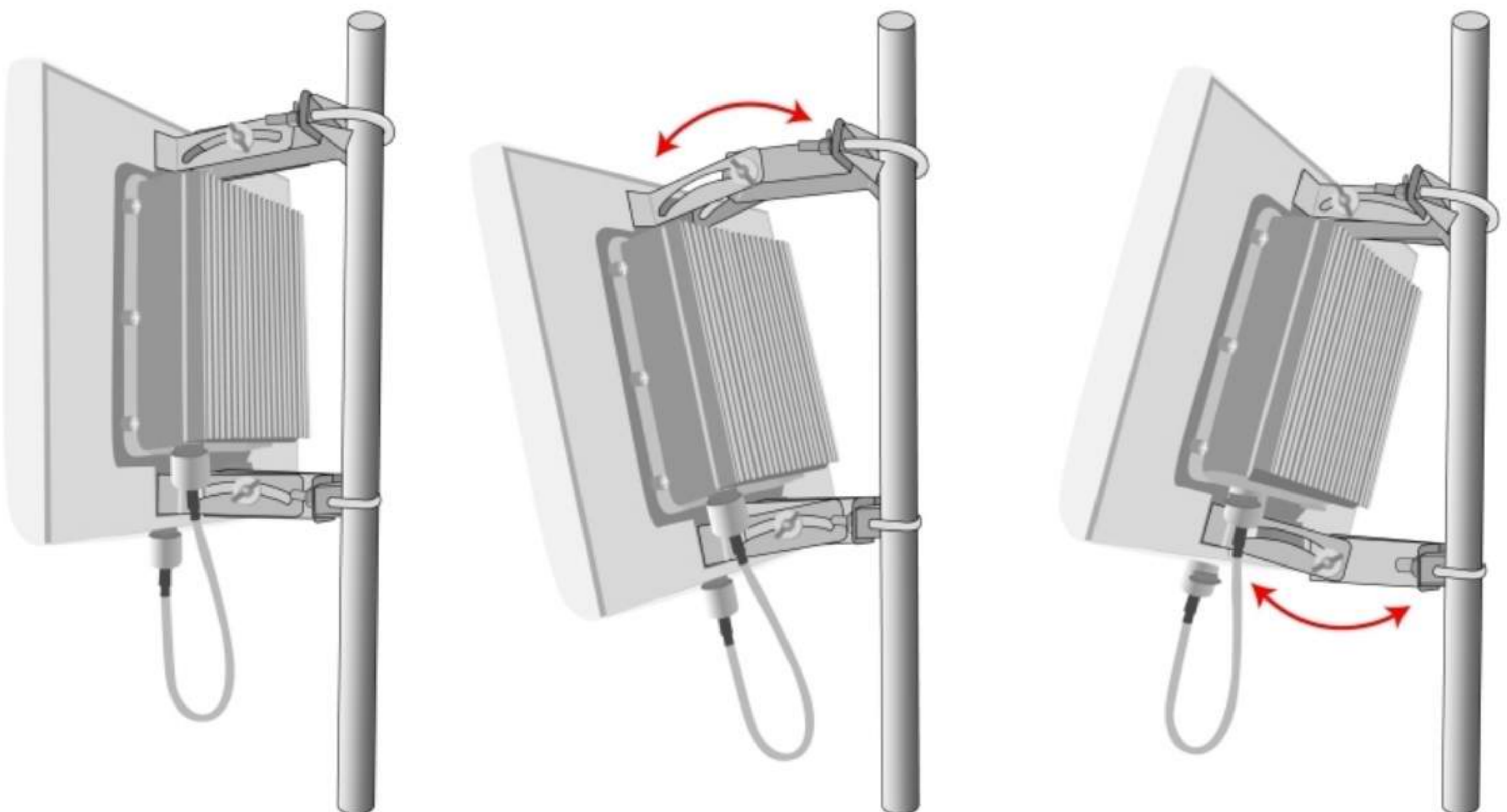
## 2.4G AIO Installation Diagram

**C**



**D**

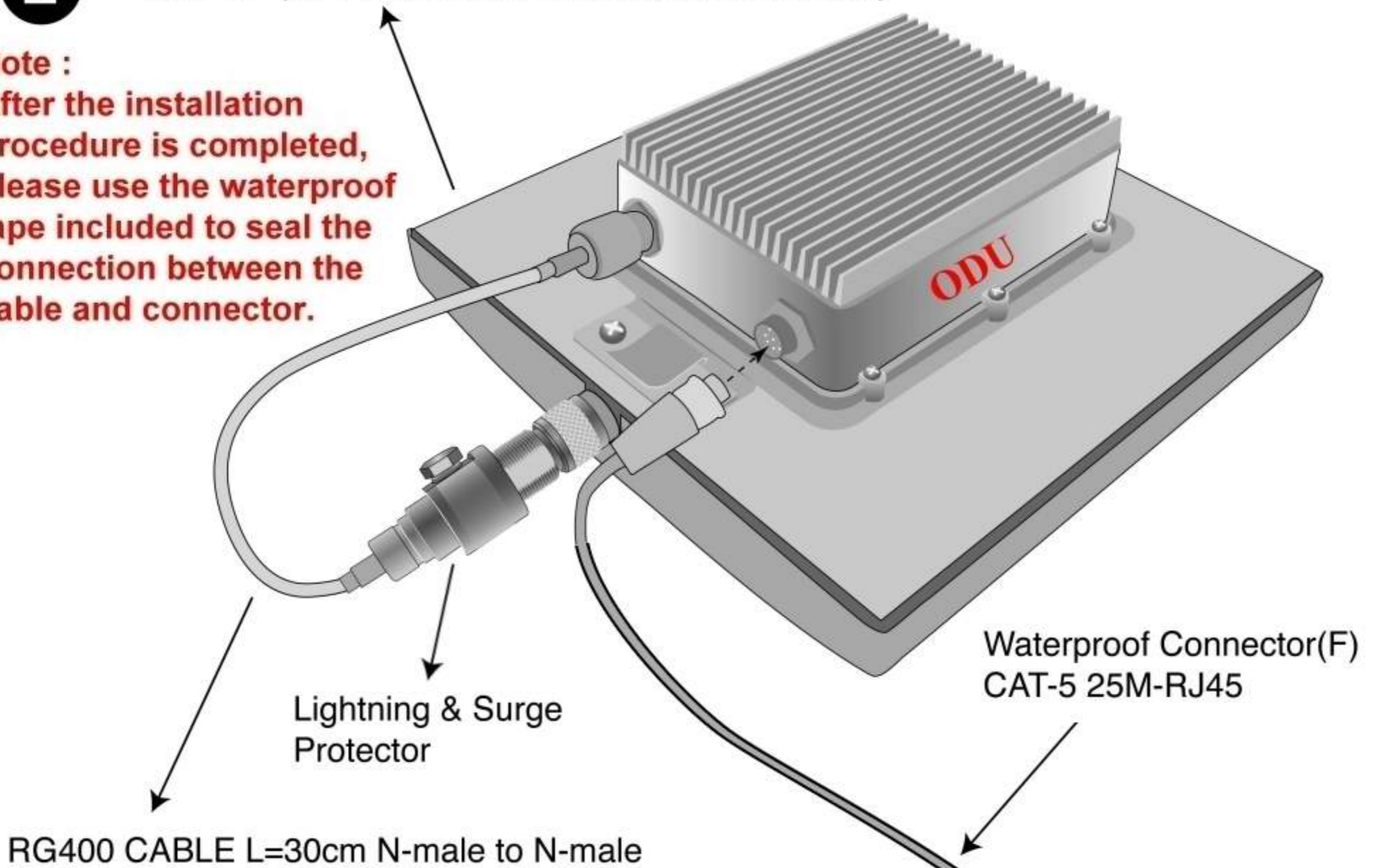
To adjust the angle of antenna by moving the screws.



**E**

AIO-AP (AP+18dbi Flat Patch ANT+Accessories)

**Note :**  
After the installation procedure is completed, please use the waterproof tape included to seal the connection between the cable and connector.



**F**

DC INJECTOR

